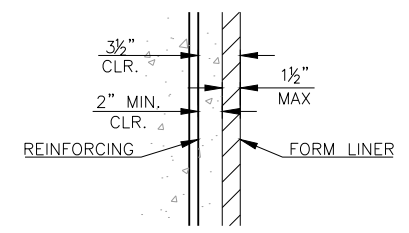
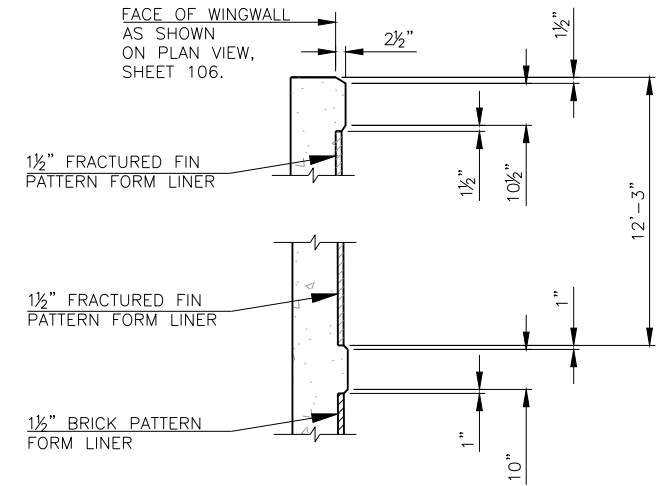


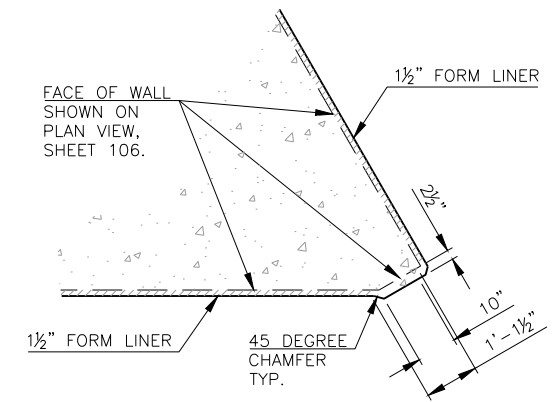
DESCRIPTION	REVISIONS	DATE



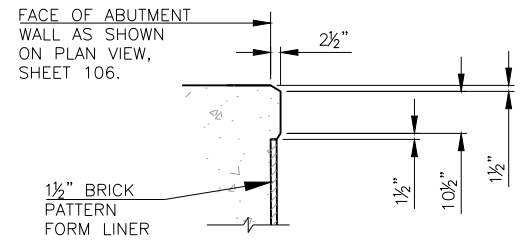
DETAIL OF CLEAR COVER WITH FORM LINER



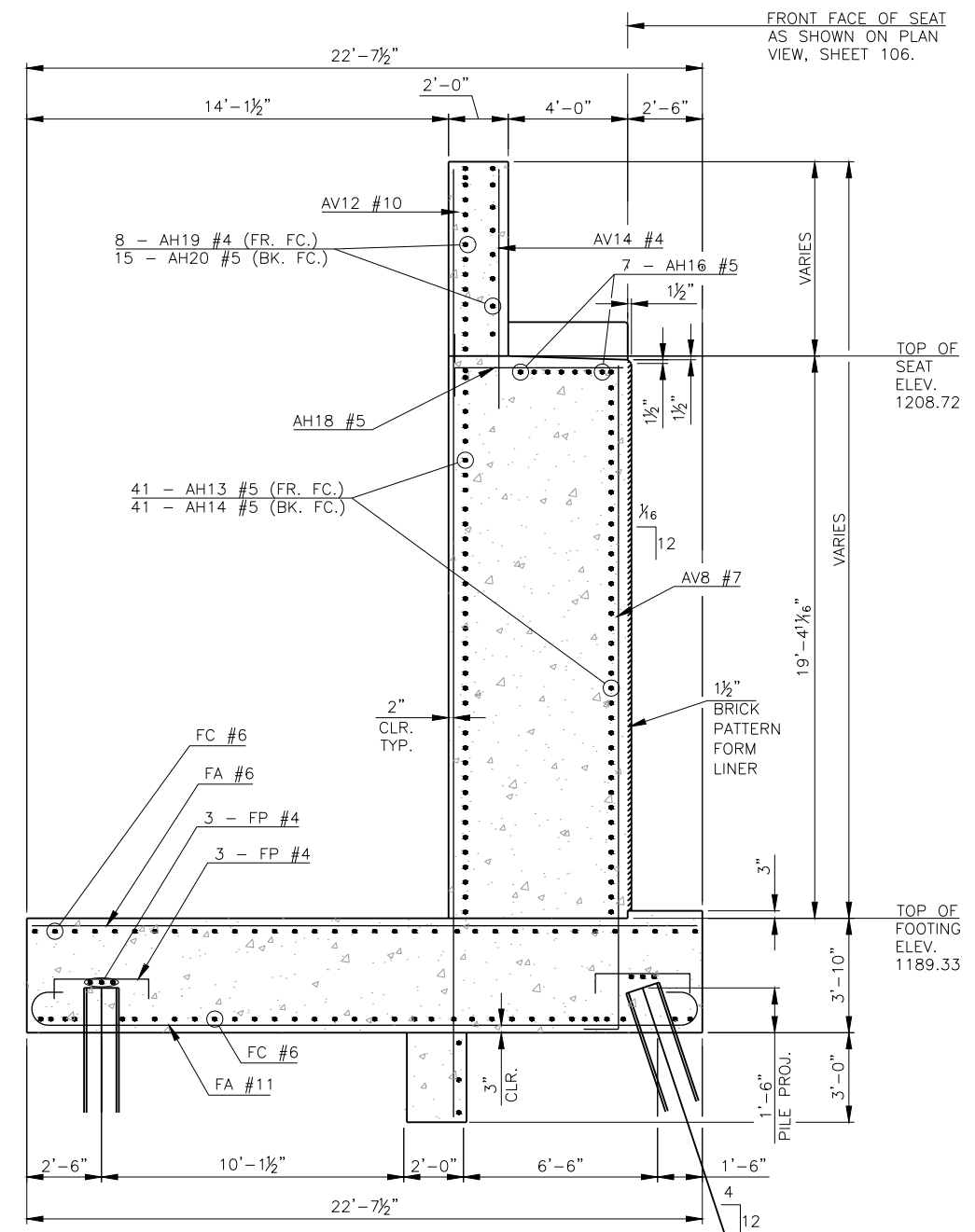
SECTION C-C



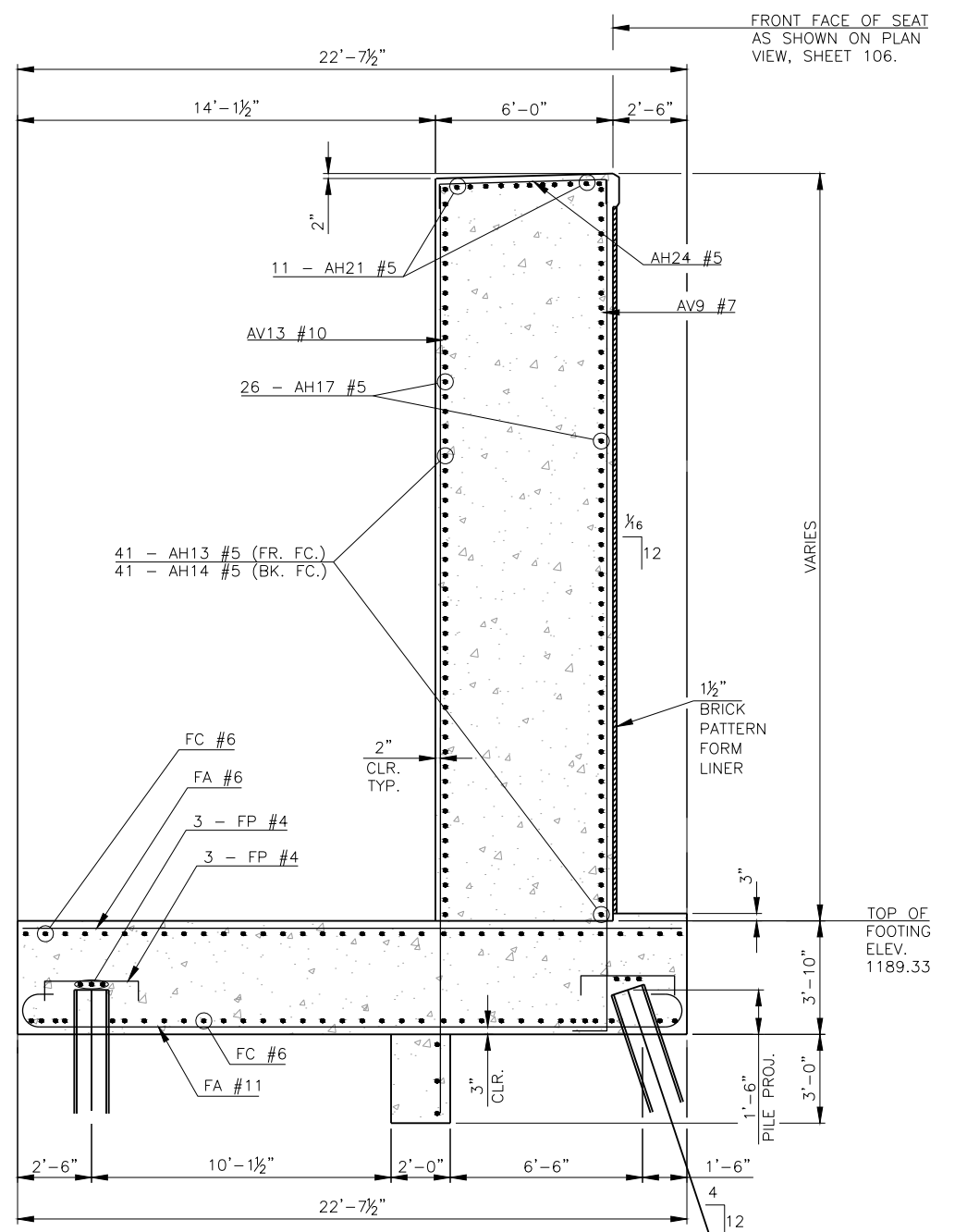
SECTION D-D



SECTION E-E



SECTION A-A



SECTION B-B

DESIGN	T.A.C.	OKLAHOMA CITY BLVD. OVER CLASSEN BLVD.	OKLAHOMA COUNTY BRIDGE B
DRAWN	T.A.C.		
CHECKED	T.A.C.		
APPROV.	T.A.C.		
SQUAD	CEC		

ABUTMENT NO. 1 - SECTIONS

JOB PIECE NO. 17428(88) SHEET NO. 109